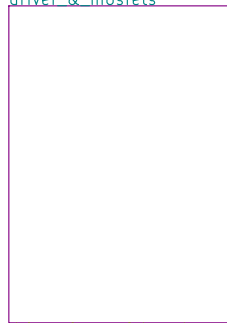


Microcontroller_S7G2



microcontroller_S7G2.sch

driver_ & mosfets



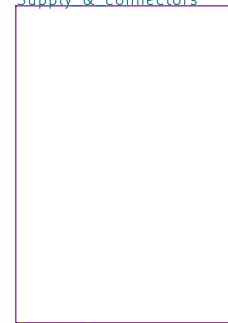
driver_&_mosfets.sch

sensors



sensors.sch

Supply_ & connectors



Supply_&_connectors.sch

- 4 differents Hierarchies sheet :
- Microcontroller S7G2
 - Mosfet Driver + Mosfets circuits
 - Hall Sensors filtering and Temperature Sensor
 - Supplying voltage and Voltage regulation / Connectors

POLYTECH

Sheet: /

File: Renesas_kicad.sch

Title: ESC_S7G2

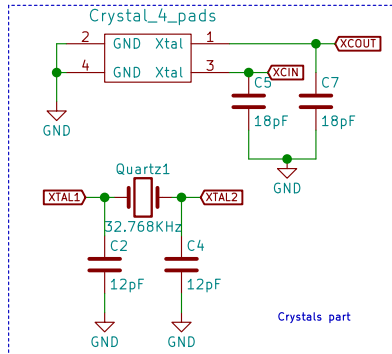
Size: A4

Date: 2017-03-31

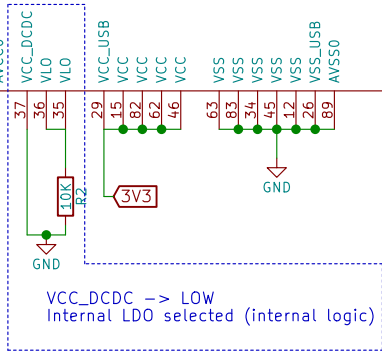
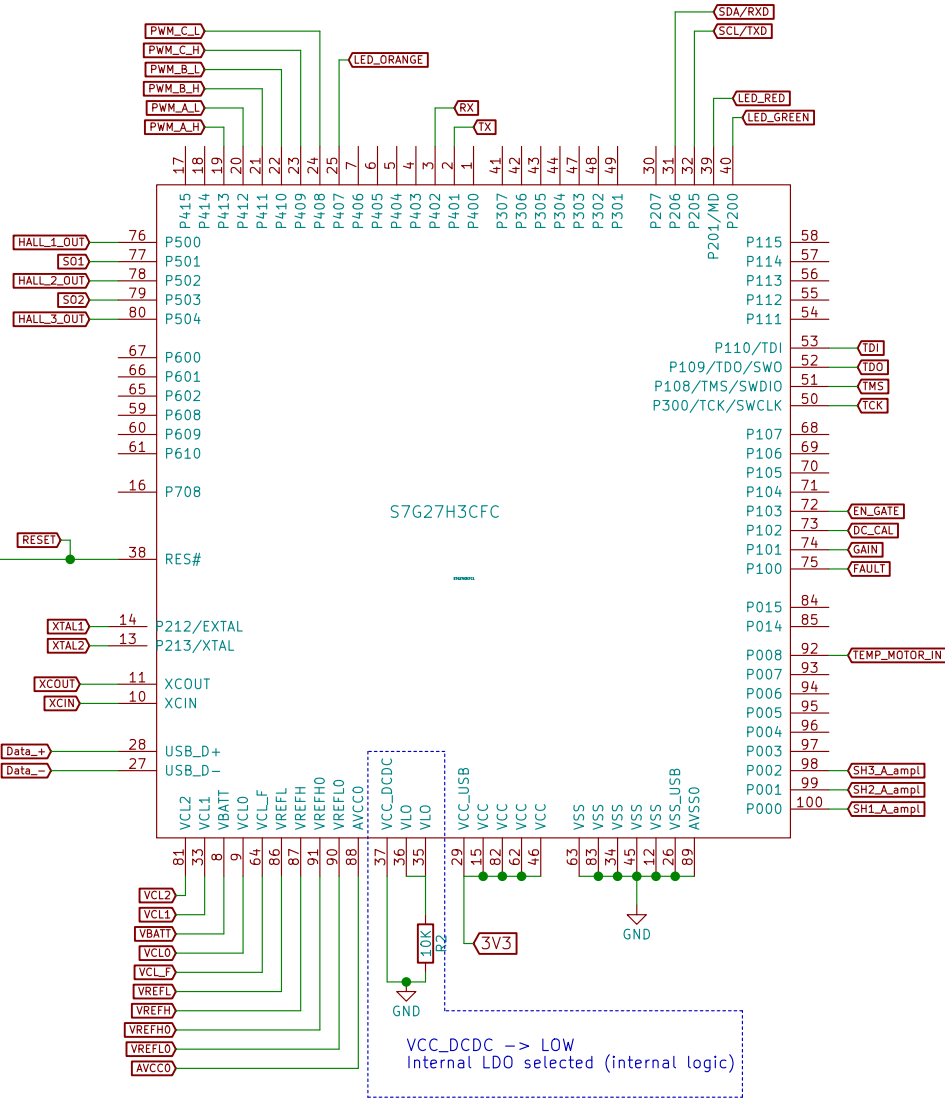
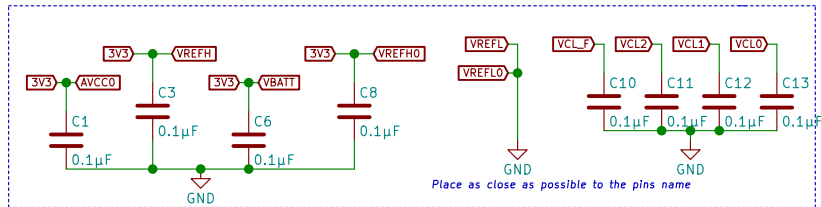
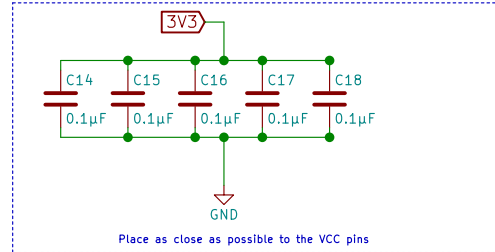
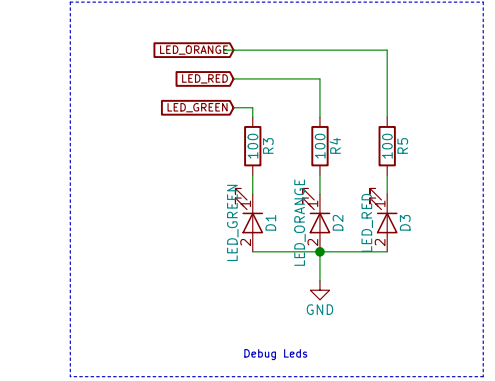
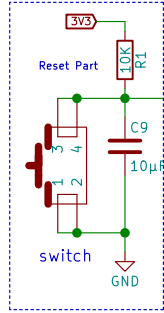
Rev: V1

KiCad E.D.A. eeschema 4.0.5

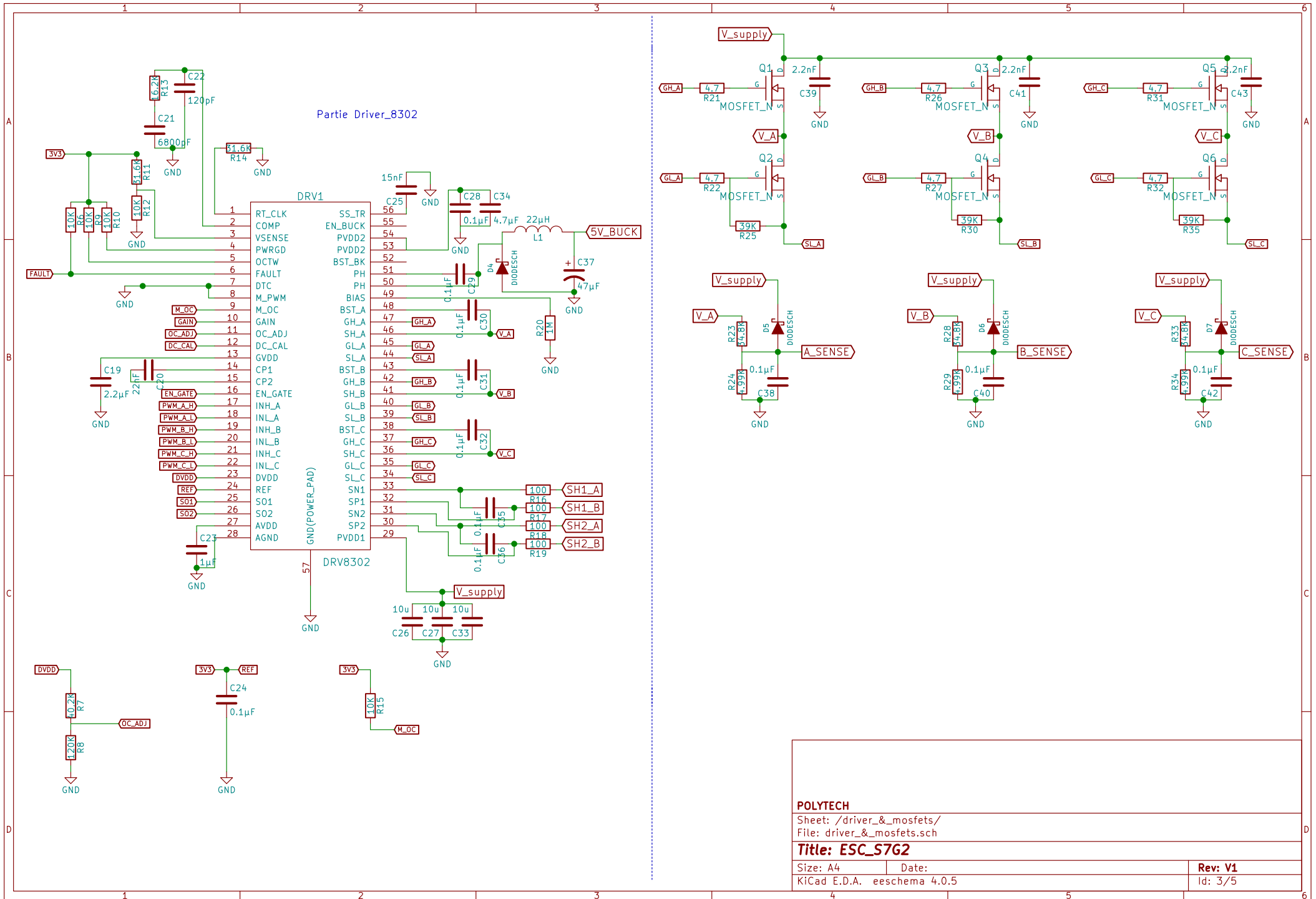
Id: 1/5



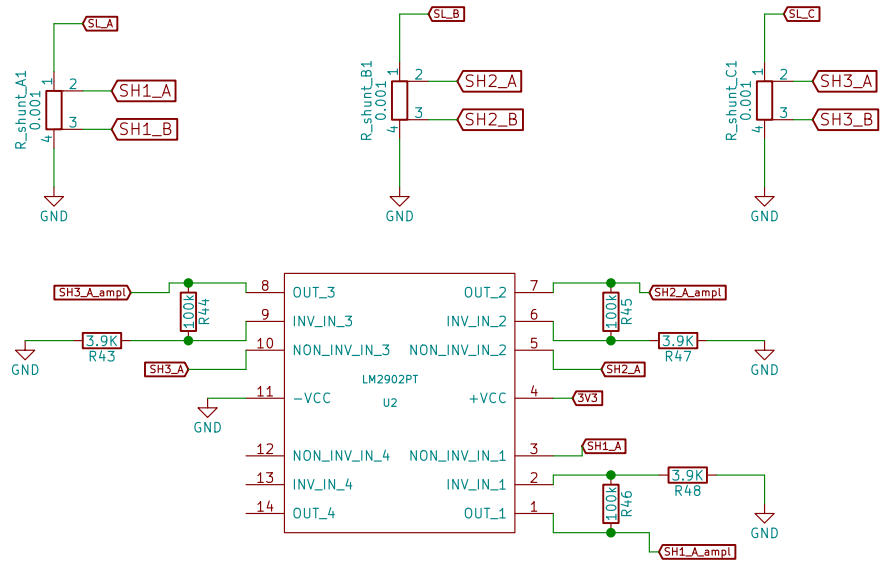
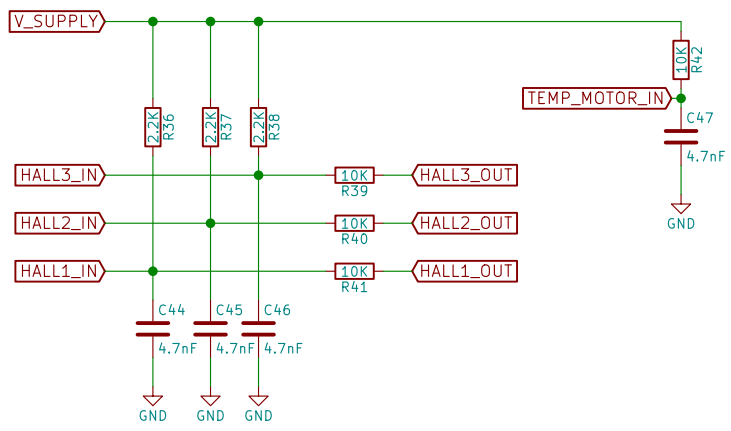
Place the Capacitors as close as possible to the Crystals.
Reduce as much as possible the line length between the MCU and the crystals.



POLYTECH	
Sheet: /Microcontroller_S7G2/ File: microcontroller_S7G2.sch	
Title: ESC_S7G2	
Size: A4	Date:
KiCad E.D.A. eschema 4.0.5	Rev: V1 Id: 2/5



POLYTECH	
Sheet: /driver_&_mosfets/	
File: driver_&_mosfets.sch	
Title: ESC_S7G2	
Size: A4	Date:
KiCad E.D.A. eeschema 4.0.5	Rev: V1
	Id: 3/5

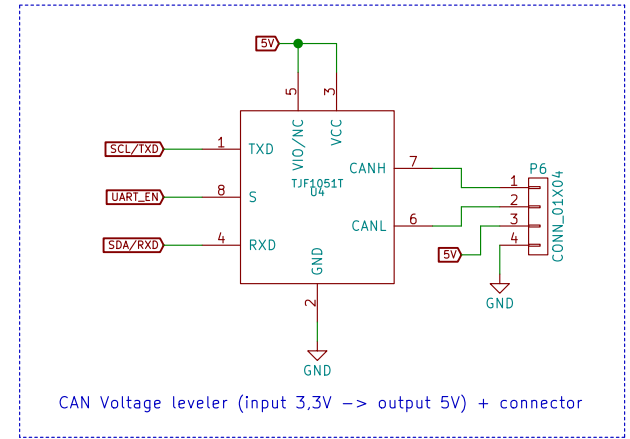
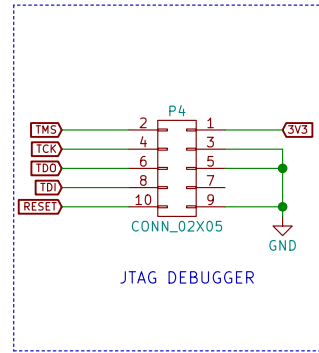
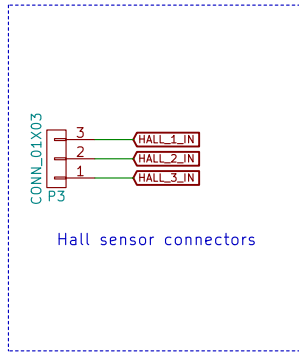
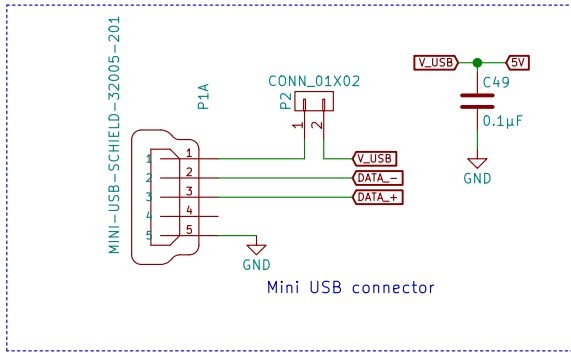


Sheet: /sensors/
 File: sensors.sch

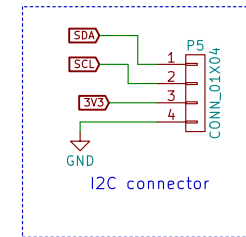
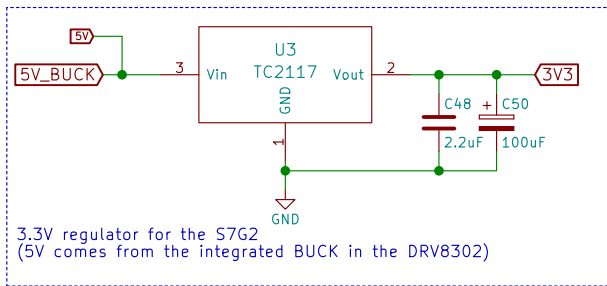
Title:

Size: A4 Date:

KiCad E.D.A. eeschema 4.0.5 Rev: Id: 4/5



WARNING :
USE JUMPER ON CONN1 WHEN BATTERY NOT PLUGGED AND USING USB TO PROGRAMM
DISCONNECT JUMPER BEFORE BATTERY PLUGGED



Sheet: /Supply_&_connectors/
File: Supply_&_connectors.sch

Title:

Size: A4

Date:

KiCad E.D.A. eeschema 4.0.5

Rev:

Id: 5/5