

Microcontroller\_S7G2



microcontroller\_S7G2.sch

driver\_&\_mosfets



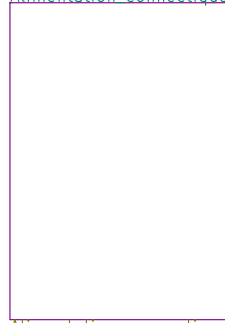
driver\_&\_mosfets.sch

Filters



Filters.sch

Alimentation\_connectique



Alimentation\_connectique.sch

**POLYTECH**

Sheet: /

File: Renesas\_kicad.sch

**Title: ESC\_S7G2**

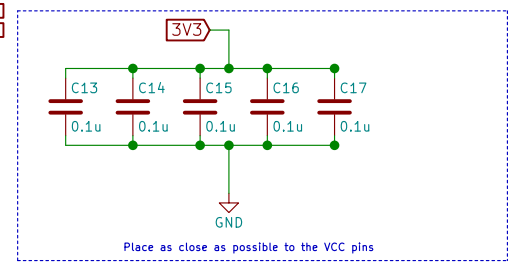
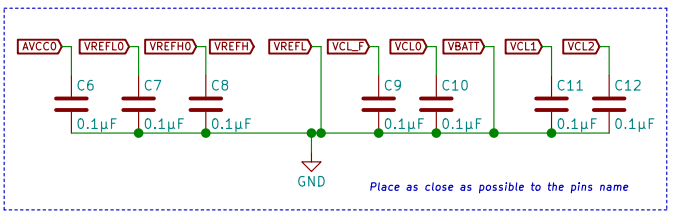
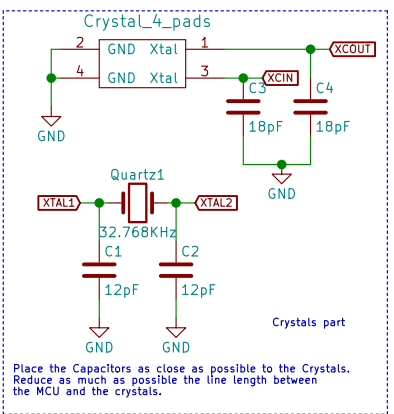
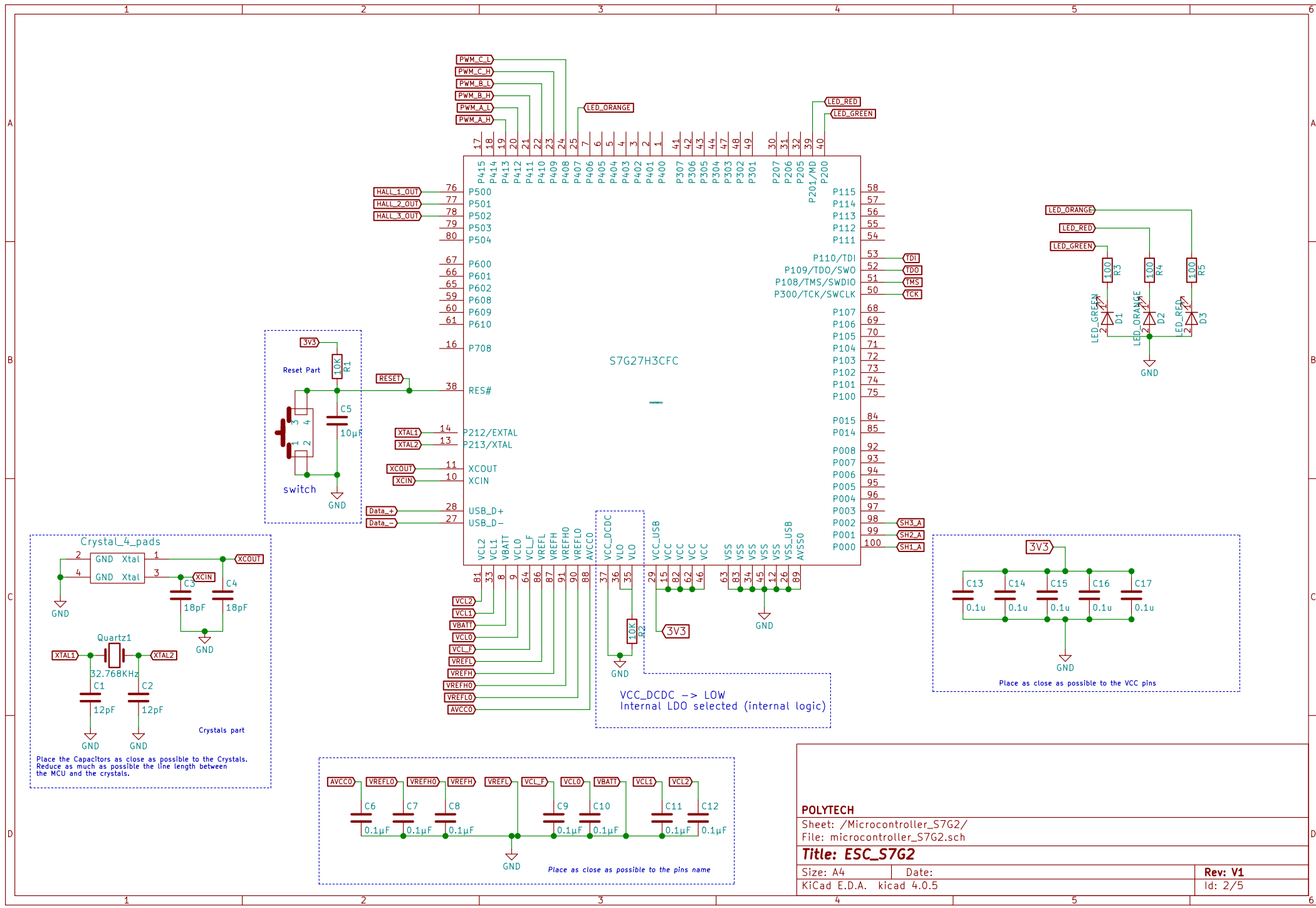
Size: A4

Date: 2017-03-31

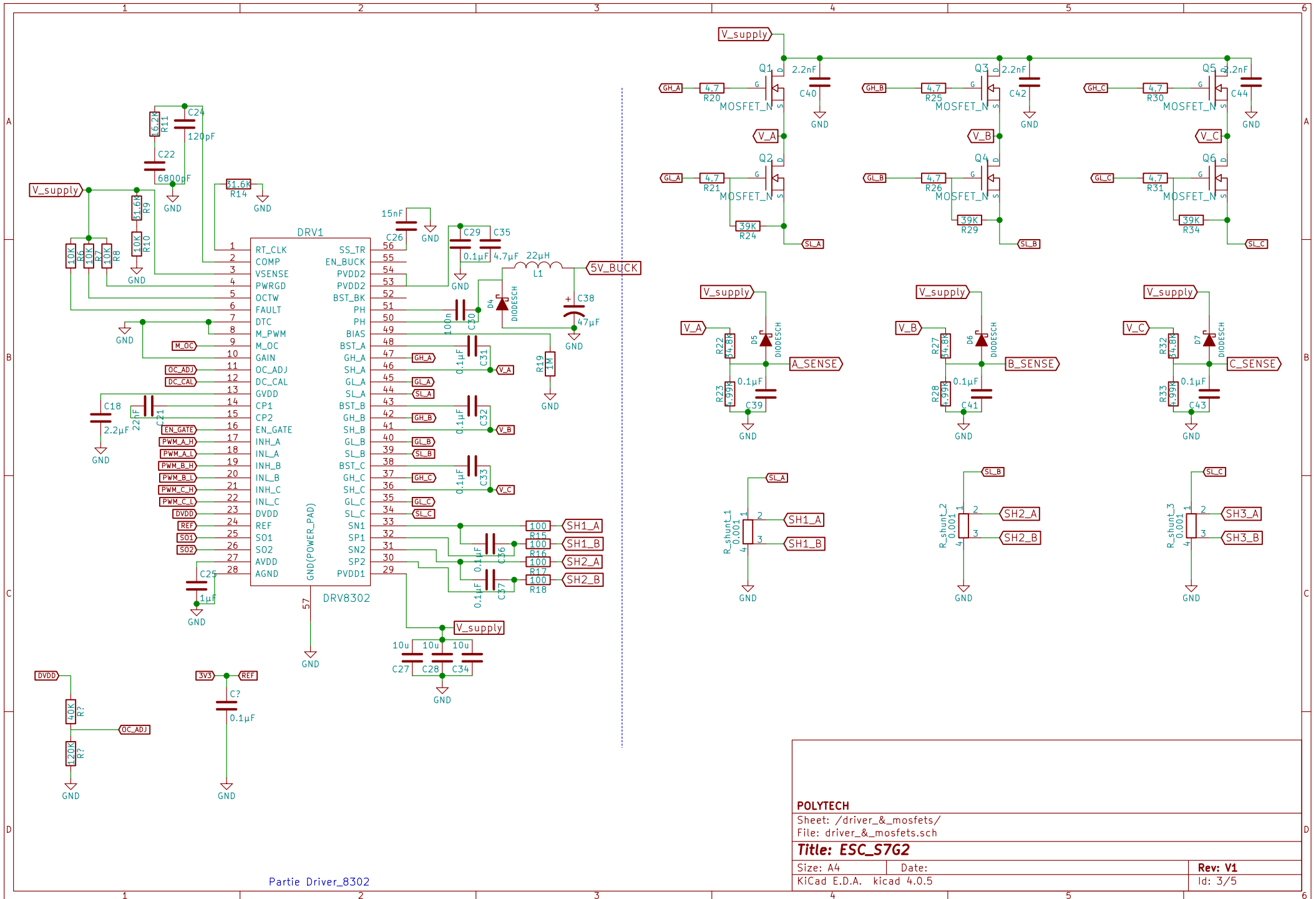
**Rev: V1**

KiCad E.D.A. kicad 4.0.5

Id: 1/5



<b>POLYTECH</b>	
Sheet: /Microcontroller_S7G2/ File: microcontroller_S7G2.sch	
<b>Title: ESC_S7G2</b>	
Size: A4	Date:
KiCad E.D.A. kicad 4.0.5	Rev: V1 Id: 2/5



Partie Driver\_8302

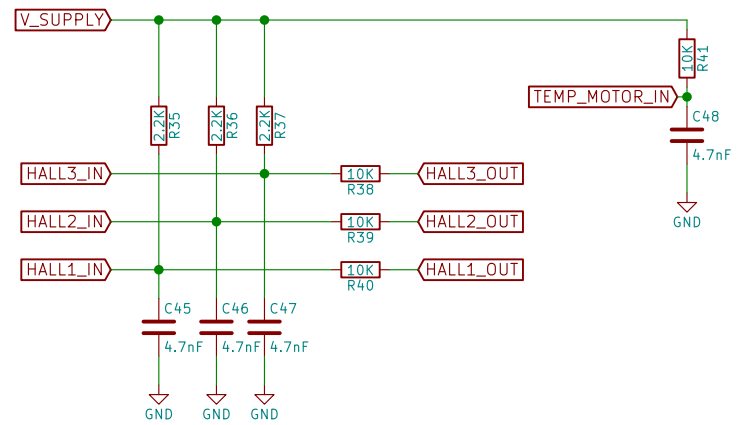
POLYTECH

Sheet: /driver\_&\_mosfets/  
File: driver\_&\_mosfets.sch

Title: ESC\_S7G2

Size: A4 Date:  
KiCad E.D.A. kicad 4.0.5

Rev: V1  
Id: 3/5



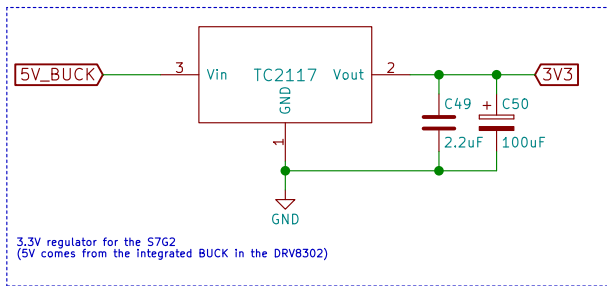
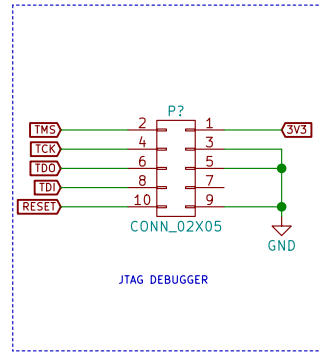
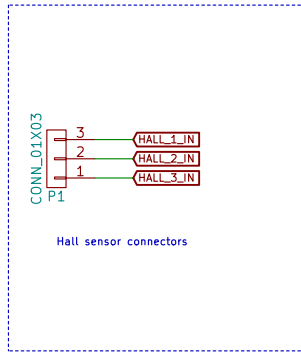
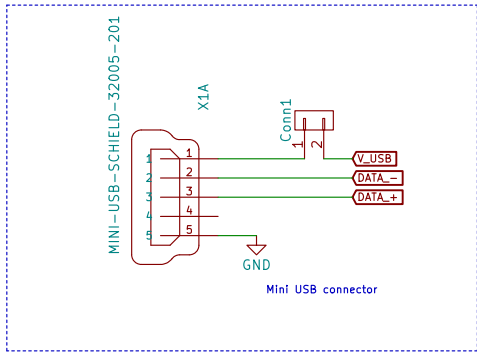
Sheet: /Filters/  
File: Filters.sch

**Title:**

Size: A4  
KiCad E.D.A. kicad 4.0.5

Date:

Rev:  
Id: 4/5



Sheet: /Alimentation\_connectique/  
File: Alimentation\_connectique.sch

**Title:**

Size: A4

Date:

KiCad E.D.A. kicad 4.0.5

**Rev:**

Id: 5/5